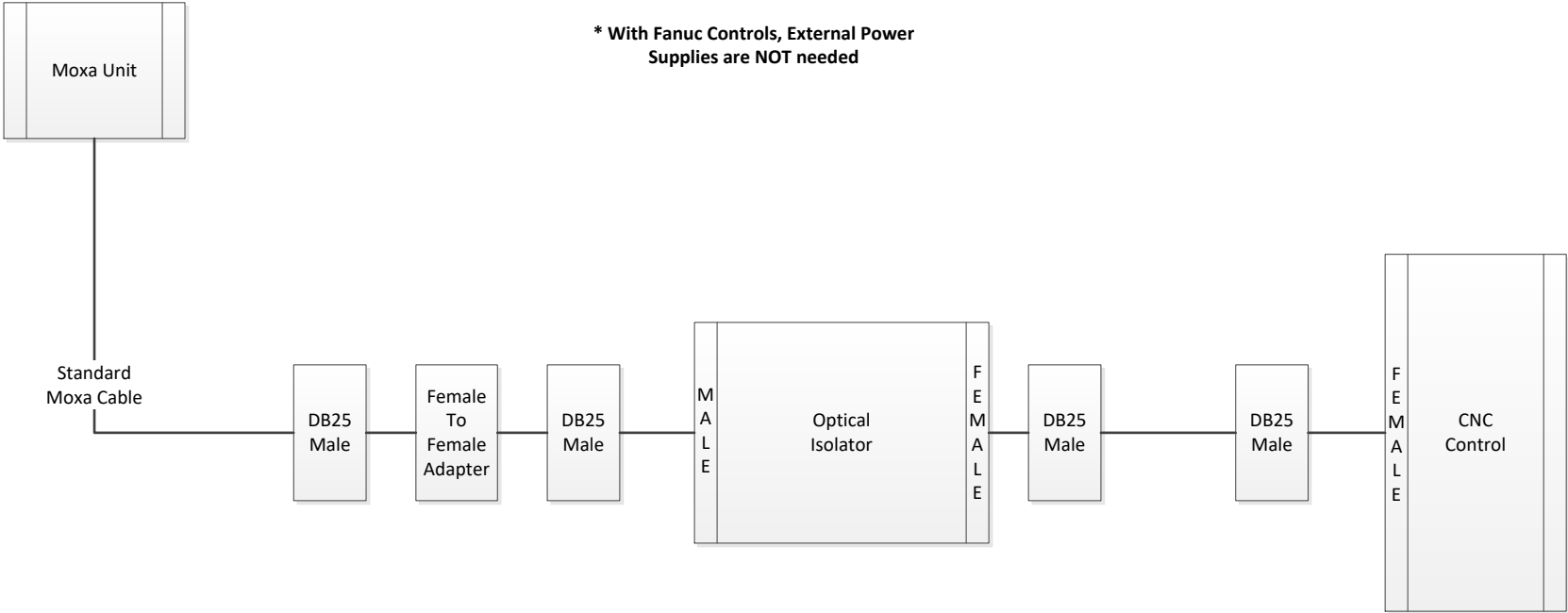


# Optical Isolator and Wiring

\* With Fanuc Controls, External Power Supplies are NOT needed



Male to Male Patch Cable

